

The Alpro ALP210H also known as a YD30M Cobalt-Mini is a revolutionary low voltage motor driven electronic lock for 90° swing doors. It has been designed to secure single action doors and addresses the two biggest issues in door locking; the ability to align a misaligned door and the ability to release when requested, even with excessive load on the door. Its small footprint ensures the mini lock can be installed in most locations. The ALP210H is typically used in commercial doors and controlled by access control systems.



### Door Alignment

Door misalignment of up to 8mm is automatically corrected

### Side Load Release

The door can have in excess of 100kg being applied and it will still release instantly when requested

### Simple Configuration

Convert from fail safe to fail secure by repositioning a single jumper

### High Security

Automatic deadlocking  
10,000N holding force (1,000kg)  
10mm thick stainless steel bolt pin

### Electrical Specification

Input voltage from 12vDC-24vDC  
Less than 50mA standby current  
Reverse polarity and transient protection  
Multiple attempts to lock

### Dual Monitoring

Door and bolt position monitors

### Versatile Installation

Mortice mount horizontally or vertically, on single action doors  
Surface mount using the ALP210H accessories, including mounting onto glass

### Physical Dimensions

160mm (L) x 30mm (W) x 51mm(D)

### Certifications

EN61000-6-1: 2007  
EN61000-6-3: 2007 + Amendment 1: 2001  
FCC Part 15, subparts A and B



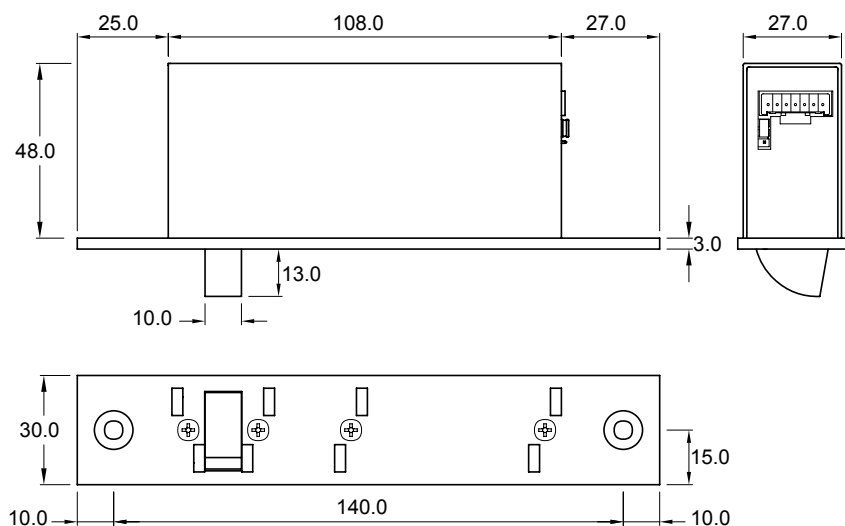
- Reliable • Secure
- Convenient

## Ordering Information/Specifications

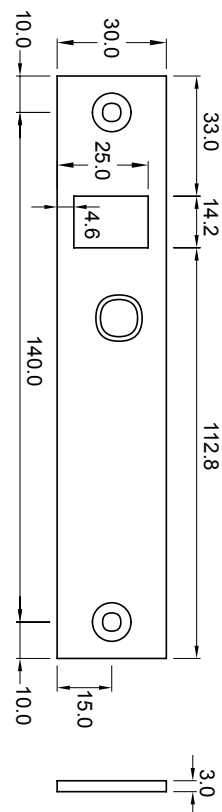
Surface mounting a lock and/or strike with the aid of the ALP210H accessories offers more flexibility in installation and makes securing glass doors possible. Dress plates are offered to give a 'clean' finish when a housing has been installed onto glass. The housing and dress plate are supplied with self-adhesive tape for instant application to glass doors and frames.

Description	Code
Cobalt-Mini electronic lock and strike plate	ALP210H
Accessories	Code
Cobalt-Mini strike plate – 160m(L) x 30mm(W) x 14mm(D)	ALP213H
Cobalt-Mini housing with tape – 163mm(L) x 34mm(W) x 55mm(D)	ALP214J
Cobalt-Mini dress plate with tape – 165mm(L) x 0.7mm(W) x 58mm(D)	ALP216J

### ALP210H Electronic Lock



### ALP213H Strike Plate



### ALP214J Housing (available separately)

