

waterproof exit switch

IEC06

The Alpro Waterproof Exit Switches are available in Natural Aluminium with two different switch plate sizes – MK 1 gang and Narrow Style for flush or surface mounting. These switches offer fully weatherproofed IP68 functions.

Requiring only light pressure to operate they are tested to in excess of 50^6 cycles.

No Moving Parts

Solid state Piezo technology

Waterproof – IP68 Certificated

Highest certification available

Tamper and Vandal Resistant

Switch Activation Time

One shot 120m sec.

Cycle Tested

50^6 operations

Electrical Features

Normally open

Max 0.2A @ 24v AC/DC

(1.0A model on request)

Intrinsically Safe

Switches without LED

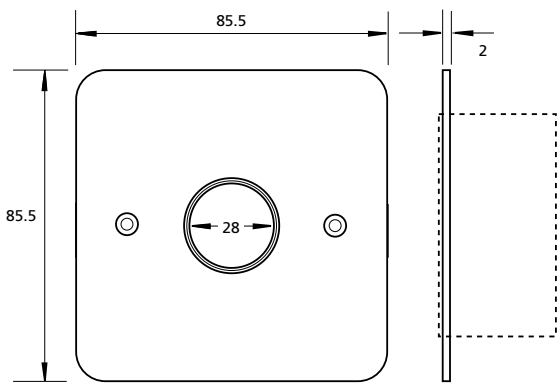
UL certificated

Approvals

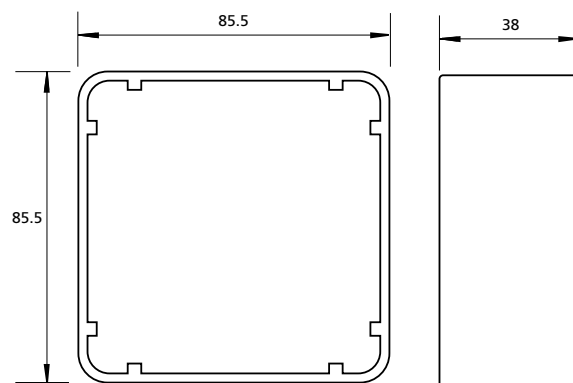
CE and UL



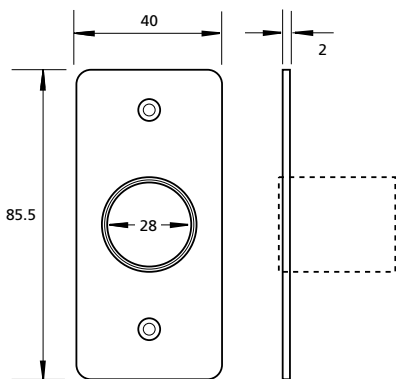
DESCRIPTION	CODE
SMA Switch - Non LED - Intrinsically Safe	
Natural Anodised Exit Switch – MK 1 gang switch plate	IEC06/1N
Natural Anodised Exit Switch – Narrow style switch plate	IEC06/1N/NS
Accessories	
Surface mount housing for MK 1 gang	IEC0610-1
Surface mount housing for Narrow Style	IEC0620-1



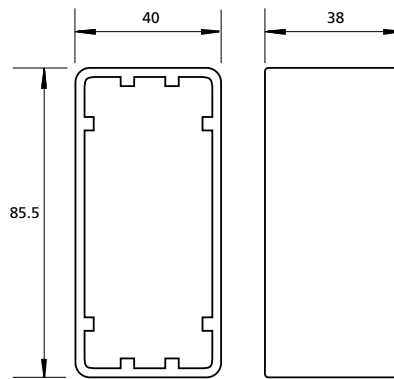
Standard MK1 gang plate dimensions



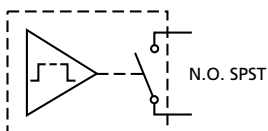
MK1 gang surface housing - brushed aluminium



Narrow style plate dimensions



Narrow style surface housing - brushed aluminium



SMA Switch - Non LED