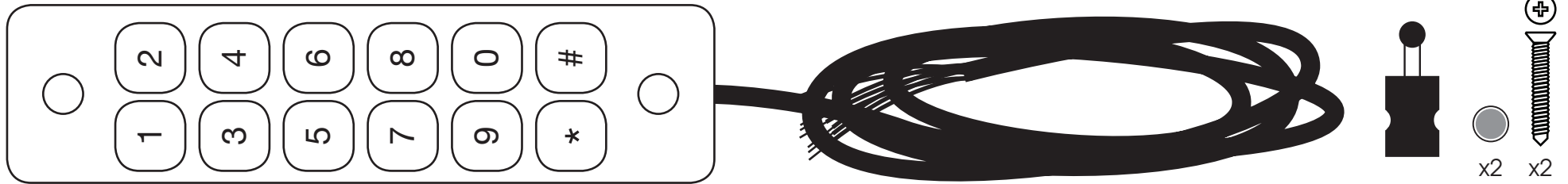


Read all instructions before starting installation

PACK CONTENTS



MOUNTING INSTRUCTIONS

Connect keypad using wiring description.

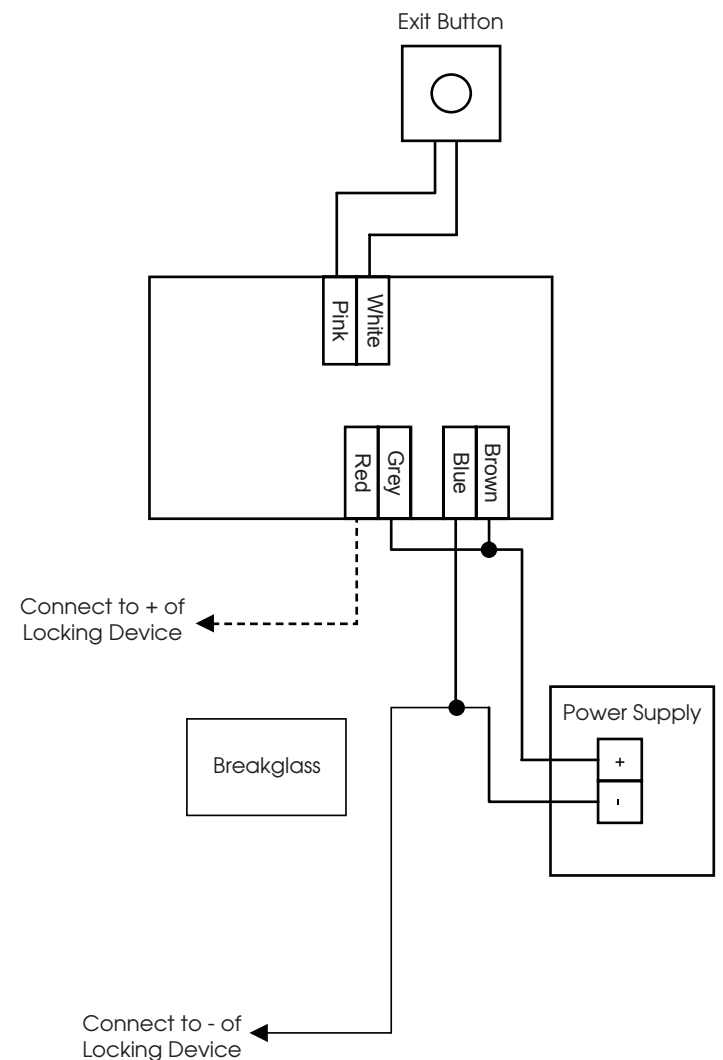
Wiring description

Power	12 or 24v AC or DC (AC does not have a polarity)
Brown	+ Positive
Blue	- Negative
Output Relay	Max 2amp @ 24v
Grey	Common
Red	Selectable – Relay NO or NC (Default is set to NO) To change see 7 & 8 under 'Programming the Keypad' Contact 2 Amp. Dry contact for Door Strike
Exit Button	Push to make – Volt free
White/Pink	Exit Button (NO)
Power Consumption	Stand by – Approximately 25 milliamps @ 12vDC Operation – Approximately 80 milliamps @ 12vDC

NB For 12vDC inductive loads such as electric strikes and electromagnetic locks, the enclosed 12vDC metal oxide varistor must be connected in parallel with the load, at the load terminals and not in the keypad.

NB Ensure power supply is of correct rating, taking into account the current requirements of the locking items and accessories.

X Do not insert security plugs into fixing holes until all installation and testing has been completed. These items require drilling out and cannot be re-fitted.



ACTIVATION

LED signalling explanation

GREEN LED	Door Strike activated	(unlocked)
RED LED	Normal Operation:	3 sec. ON = wrong Code Entry
		Slow flashing = wrong code entry 3 times
	Programming Mode:	Fast flashing = programming different functions
		Slow flashing = programming stand-by
		Very fast flashing = erasing all user codes

The door remote opening (via exit switch) is possible when a dry contact is made between the wires White and Orange.

The lock is activated for the time the system is programmed. Factory set @ 5 seconds.

Remote opening is disabled during programming and latch mode.

TROUBLE SHOOTING

The keypad does not "respond" when activating the keys.

1. Make sure the electronic unit has been properly wired to the PSU and the power has not been cut-off.

The keypad "responds" but the door does not open.

1. Make sure the Green LED is illuminated.
2. If not, the entered code has not been programmed yet. Please refer to "Programming".
3. Enter the Master Code and make sure the door opens correctly. If not, check the wiring and the Lock's integrity.

INITIALISATION

Apply power to the keypad. The keypad's buzzer will sound briefly, the Red LED will illuminate briefly Initialisation is now complete, with a default master code of 1-2-3-4 and a 5-second open door.

TESTING THE UNIT

Enter the master code (1 2 3 4 #)
The Door Relay changes its contacts for 5 sec.
The Green LED will light up for 5 sec. Repeat this step 2,3 times.
If the master code is wrongly typed in, the Red LED lights up for 3 sec. re-enter the Code as soon as the LED goes OFF.

IMPORTANT: CHANGE THE FACTORY SET MASTER CODE WHEN YOU PROGRAM YOUR UNIT FOR USE. THERE IS NO WAY TO RECOVER THE NEW MASTER CODE IF IT IS LOST OR FORGOTTEN. THE UNIT CAN BE RESET TO FACTORY PRESETS AND CUSTOMISED AGAIN. See Data Reset

PROGRAMMING THE KEYPAD

Enter ★★1234★★

The keypad enters programming mode, the Red LED flashes
If no further information is added, the unit will revert to normal operation after a 3 second delay. To exit programming press #.

There are six programming options: -

1. **Set new master code**
It is suggested the Master Code is not changed until person programming is familiar with all aspects of programming the keypad!
2. **Set new user code**
3. **Erase a user code**
4. **Erase all user codes**
5. **Set door open time (1-99s)**
6. **Set output to latch option**

Continued over...

Read all instructions before starting installation

PROGRAMMING THE KEYPAD CONTINUED..

1 To set new master code

TAKE TIME TO ALLOW EACH BUTTON INPUT / LED TO REGISTER

Enter	★ ★ 1 2 3 4 ★ ★	The keypad enters programming mode, the Red LED flashes
Enter	2	The Red LED illuminates for 2 seconds and then flashes
Enter	0-0-0#	The Red LED illuminates for 2 seconds and then flashes
Enter	new 4-8 digit code	This is the new master code, record the number and keep it safe
Enter	#	The Red LED illuminates for 2 seconds and then flashes
Re-enter	the new master code	The Red LED illuminates for 2 seconds and then flashes
Enter	#	
Enter	#	To exit programming mode
To set a new master code of 112233		
Enter	★ ★ master code ★ ★ 2 000# 112233# 112233# #	

2 To set a new user code

Enter	★ ★ master code ★ ★	The keypad enters programming mode, the Red LED flashes
Enter	2	The Red LED illuminates for 2 seconds and then flashes
Enter	address of new user code	i.e. 001 (001-200 accepted)
Enter	#	The Red LED illuminates for 2 seconds and then flashes
Enter	new 4-8 digit user code	This is the new user code, record the number and keep it safe
Enter	#	The Red LED illuminates for 2 seconds and then flashes
Re-enter	the new 4-8 digit user code	The Red LED illuminates for 2 seconds and then flashes
Enter	#	The new code is added, to add new codes continue from second step, changing the address each time. When finished enter an additional # to exit programming mode.
Re-Enter	2 to set the next code or # to EXIT	
To set a new user code of 6626 in address 1		
Enter	H H master code H H 2 001# 6626# 6626# #	
To set a new user code of 6626 in address 1 & 7788 in address 2		
Enter	★ ★ master code ★ ★ 2 001# 6626# 6626# 2 002# 7788# 7788# #	

3 To remove an individual user code - Only the user code addresses are removable, the master code may be changed but not removed

Enter	★ ★ master code ★ ★	The keypad enters programming mode, the Red LED flashes
Enter	3	The Red LED illuminates for 2 seconds and then flashes
Enter	address of user code to be removed	Example 001 (001-200 accepted)
Enter	#	The red LED illuminates for 2 seconds and then flashes (Address accepted)
Enter	address of user code to be removed	Example 001 (001-200 accepted)
Enter	#	The red LED illuminates for 2 seconds and then flashes the code is removed
Enter	#	Exit programming mode

4 To remove all user codes

Enter	★ ★ master code ★ ★	The keypad enters programming mode, the red LED flashes
Enter	4	The Red LED illuminates for 2 seconds and then flashes
Enter	master code	
Enter	#	The Red LED illuminates for 2 seconds and then flashes 40 sec. All user code addresses are removed
Enter	#	For exit programming

5 To set lock open time

Enter	★ ★ master code ★ ★	The keypad enters programming mode, the Red LED flashes
Enter	1	The Red LED illuminates for 2 seconds and then flashes
Enter	door open time	(01-99) Ex. 05 = 5 seconds
Enter	#	The Red LED illuminates for 2 seconds and then flashes
Enter	#	For exit programming
To set the door open time to 10 seconds		
Enter	★ ★ master code ★ ★ 1 10 # #	

6 To set output relay to latching mode (On-Off)

Enter	★ ★ master code ★ ★	The keypad enters programming mode, the Red LED flashes
Enter	1	The Red LED illuminates for 2 seconds and then flashes
Enter	00	
Enter	#	The Red LED illuminates for 2 seconds and then flashes
Enter	#	The relay is set to latching mode

TO PROGRAM THE RELAY FOR A TIMED FUNCTIONING PLEASE PERFORM PROCEDURE 5.

7 To set Normally Open

Enter	★ ★ master code ★ ★	The keypad enters programming mode, the Red LED flashes
Enter	6	The red LED illuminates for 2 seconds and then flashes
Enter	0	
Enter	#	The Red LED illuminates for 2 seconds then flashes
Enter	#	Exit the programming mode

8 To set Normally Closed

Enter	★ ★ master code ★ ★	The keypad enters programming mode, the Red LED flashes
Enter	6	The red LED illuminates for 2 seconds and then flashes
Enter	1	
Enter	#	The Red LED illuminates for 2 seconds then flashes
Enter	#	Exit the programming mode

OPERATING THE KEYPAD

Enter	user code #	The relay operates and Green LED illuminates
-------	-------------	--



If three incorrect attempts are made to enter a user code, the keypad will lock out for thirty seconds

DATA RESET

There are two basic models out in the field. Before attempting Data Reset identify the model concerned. Dependent on model select correct reset instructions.

In the event that programming administration is lost, or errors have been made in the programming, it is possible to set the keypad master back to the factory default:

Version 1

Power off to keypad - wait 5 seconds - reapply power to Keypad

When power reapplied - if Red LED stays on for 1 second = Version 1

If the unit has been fitted with, this process will destroy the anti-tamper plugs

Remove anti-tamper plugs and the keypad from the wall

Press the reset button on the rear of keypad

The red LED illuminates for 2 seconds and then flashes

Enter	1234#	The red LED illuminates for 2 seconds and a continuous tone is heard
-------	-------	--

Press the reset button on the rear of keypad

Enter	#	The red LED illuminates for 2 seconds and then flashes
-------	---	--

Enter	#	The relay is set to open the door for 5 seconds
-------	---	---

Master code 1-2-3-4

User code 5-6-7-8-9-0

Version 2

Power off to keypad - wait 5 seconds - reapply power to Keypad

When power reapplied - if Red LED stays on for 3 seconds = Version 2

Power up the unit During the first 3 seconds the Red LED is ON

Enter	**1234#	Green LED will appear then turn to Red LED The unit will sound 3 times and the data will be restored as follows
-------	---------	--

Master code 1-2-3-4

User code 5-6-7-8-9-0 Please erase this code at address 200

Door open time 5 seconds

Warranty

This product is guaranteed for a period of **5 years** against defects in manufacture, workmanship or materials provided that all electrical and mechanical installation requirements are adhered to as per this instruction sheet. All third party and consequential claims are expressly excluded from this warranty.