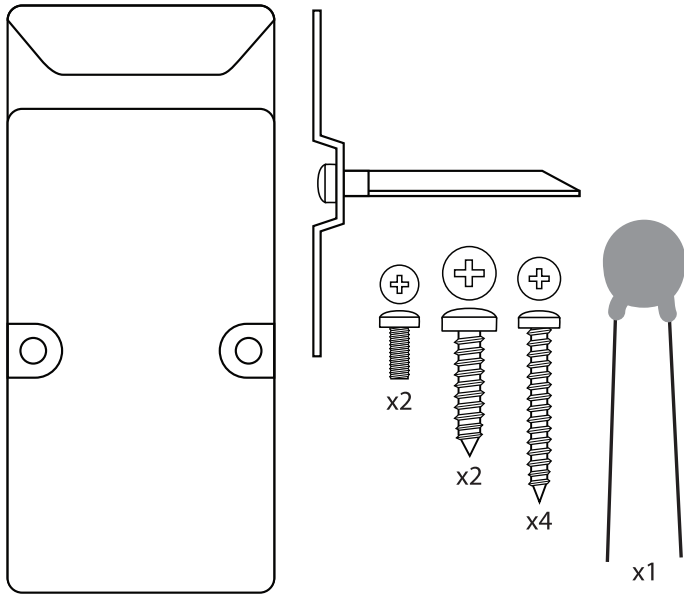
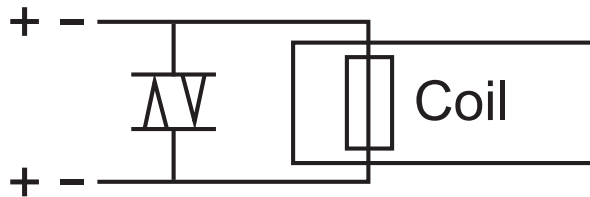


INSTRUCTIONS Read all instructions before starting installation

PACK CONTENTS



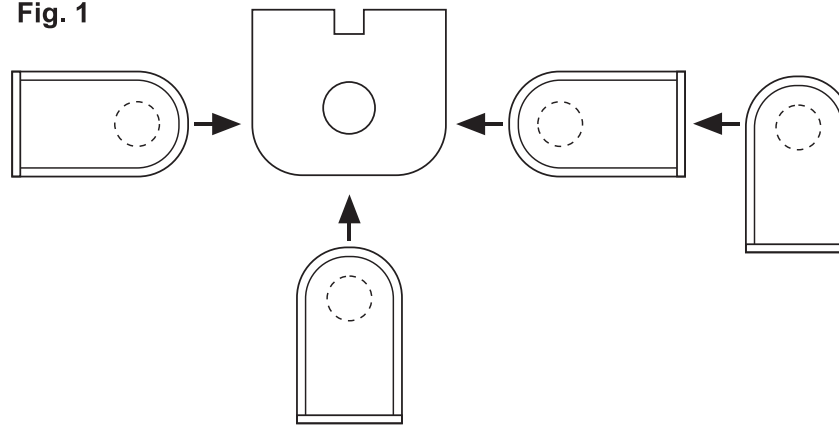
The use of the enclosed varistor is recommended for the protection of electrical equipment from transient voltage spikes



MOUNTING INSTRUCTIONS

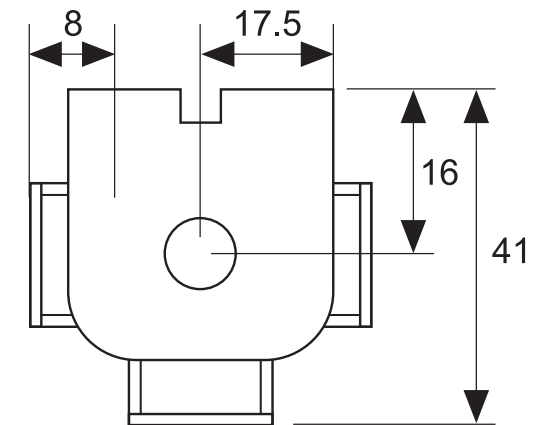
The cabinet lock is designed to be fitted in display cases, cabinets and lockers with either swing or sliding doors requiring electronic control and where keys are not a practical solution.

Fig. 1



Striker can enter lock from any three sides including sliding side on.

Fig. 2



Side entry of striker

See figure 2. Use the 8 mm to set distance from the face of the door to the first fixing hole of the lock to prevent over or under travel of the striker.

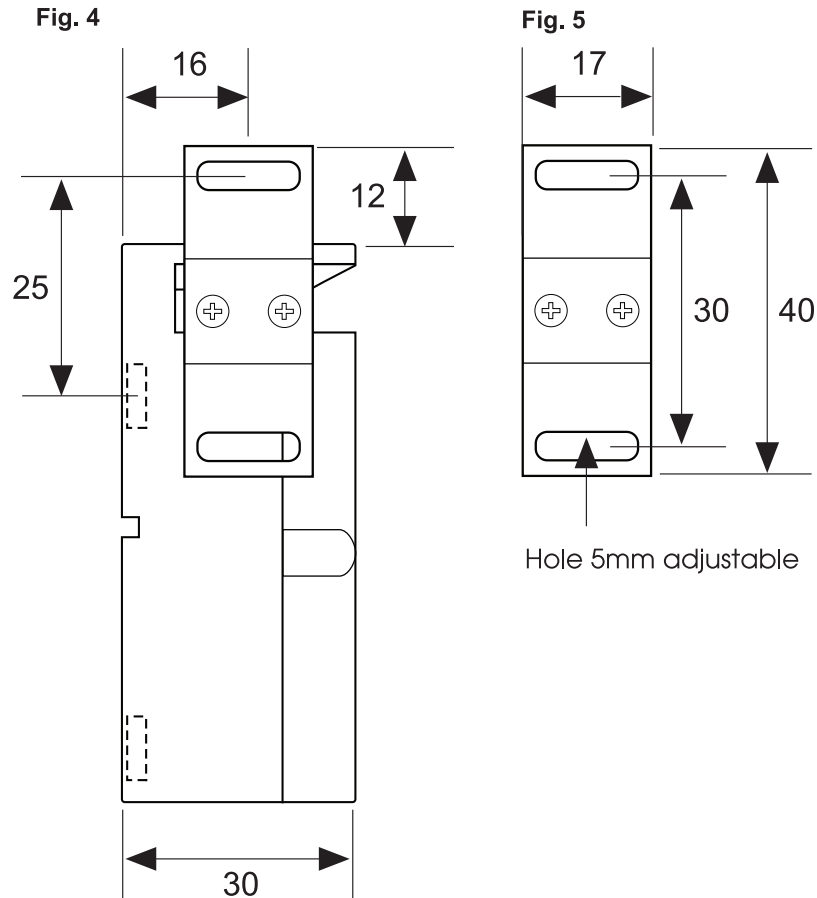
Front entry of striker

See figure 2. Use the 41 mm to set the distance from the back mounting face of the lock to the other mounting face of the striker to prevent over or under travel as above.

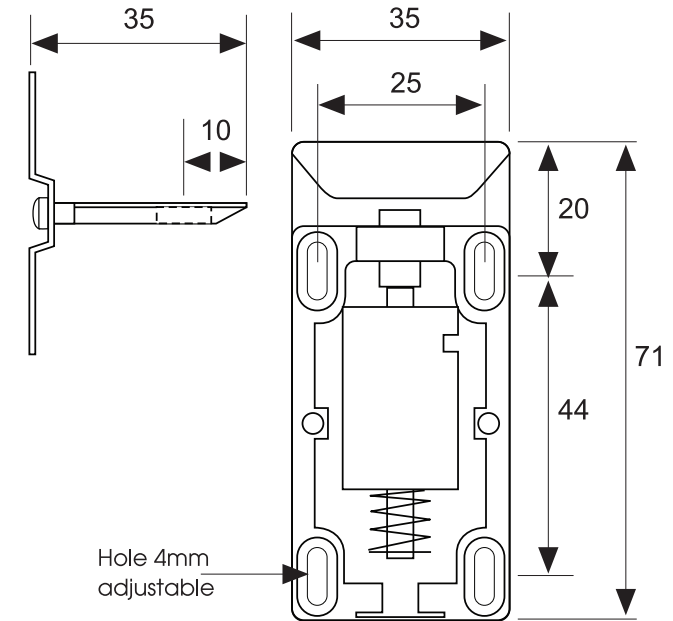
FIXING THE STRIKER

The top fixing hole of the striker base is 25mm above the top fixing hole of the lock. See figure 4. Align the striker so that the fixing holes of the base are set 16mm out from the mounting face of the lock and 25mm vertically higher than the top fixing hole of the lock, see figure 4.

Install striker and use the 4mm horizontal adjustment as well as the 5mm vertical adjustment to ensure the striker locking hole aligns with the locking pin in the lock, see figure 5.



TECHNICAL SPECIFICATIONS



Blue coil leads = 12V dc 180mA continuous
Brown coil leads = 24V dc 90mA continuous

