

RIM electric strike

AL150

The Alpro AL150 series security rim strikes are designed for use with the majority of popular rim latches used on timber door applications.



12/24v Selectable

Stainless Steel Striker

Low Current Consumption

200mA - 12v DC continuous ($\pm 15\%$)

100mA - 24v DC continuous ($\pm 15\%$)

Simple Fail Safe/Fail Secure Changeover

Compact Cast Aluminium Body

Enclosed in one-part case

Easy Installation

Stick on/peel off template

Finish

Black polyester powder paint

Options

Monitored version available

Weather Resistant - IP56 Protection as Standard

Spares

Replacement changeover pin

Approvals

EN 61000-6-3 : 2007 EN 50130-4 : 1995+A1

EN 50130-4 : 1998+A2 EN 50130-4 : 2003

AC Compatibility (with RM1)

The Rectifier Sounder Module enables operation with AC voltages.

The sounder can be set for either buzzing or silence with both AC and DC voltages.

The IEC RM1 unit is continuously rated – max 1 amp.



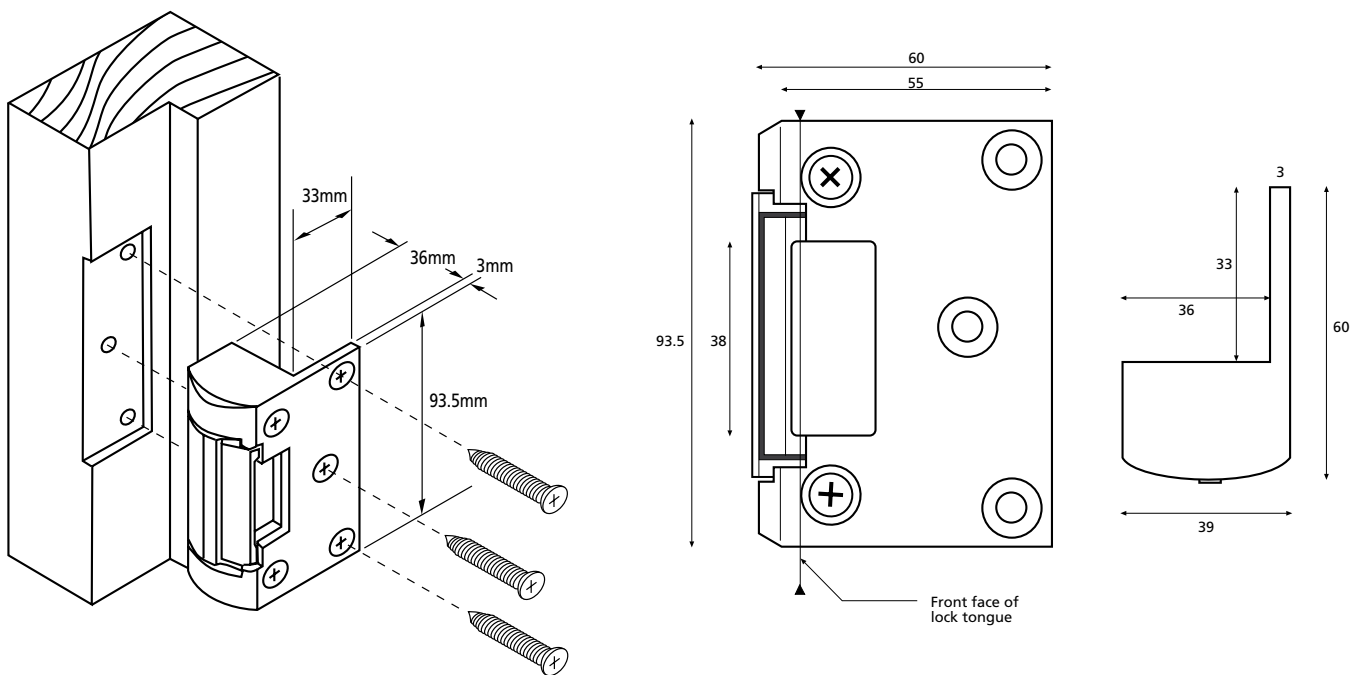
Lock Compatibility/Ordering Information/Specifications



COMPANY	MODEL	COMPANY	MODEL
Accepts 12mm latch bolt when fitted with 3mm door gap Chubb	Narrow style 4L73	Accepts 12mm latch bolt when fitted with 3mm door gap Union	Narrow style 1027, 1047, 1097
	Standard style 4L74		Standard style 1022, 1026, 1028, 1048, 1098
	Traditional style 4L75		Narrow style 84, 706, No.2
Legge	66, 707, 727	Yale	Standard style 77, 88, 90, 91, No.1

DESCRIPTION	FUNCTION	CODE
12/24vDC Rim Strike	Fail Safe/PTL	AL151
12/24vDC Rim Strike	Fail Secure/PTO	AL152

ACCESSORIES	CODE
Rectifier Sounder Module	IEC-RM1



rectifier sound module

RM1

Enables Alpro strikes to operate with AC systems.

Enables use of quality strike at greatly reduced current consumption over dedicated AC strikes.

Only for use with product with maximum current load of 1 amp. Not solenoid bolts or shearlocks for example.



RM1 continuously rated

Switchable buzzer

Buzzer function available on DC - on/off.
Allows for silent operation on AC.

Power

Input voltage range is 12-24v AC +/- 15%
There is no polarity on the AC input
Output will always be lower than the input by 10% approximately. If you require 12v DC output ensure input is at least 13v AC. Standard voltmeters will show the output voltage as lower, this is because the output is not smoothed which will create false readings on your meter.

Current Load

Maximum current load is 1 amp (1000mA).

Sounder

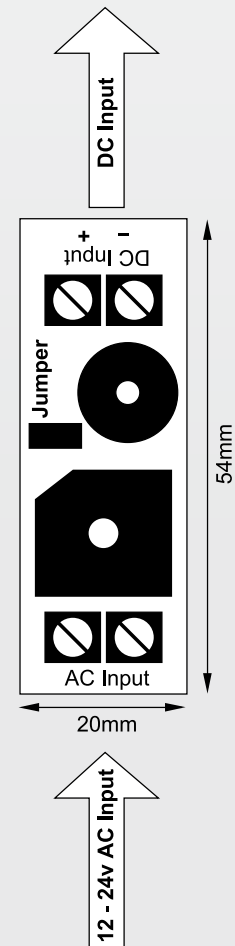
The sounder will sound whenever an input voltage is present, if this is not required remove the link located next to the sounder. Store the link on the pin, in case you change your mind and need it later.

Location

This RM1 Rectifier is not designed to work in damp environments; **and MUST BE protected from moisture**. If this is not possible at the device end of the circuit, the PCB must be removed to a dry position near the AC power source. The exact location of the PCB is not critical; the voltage output will not change significantly.

DC Input

This product will accept a DC input if you only wanted to use the sounder function. There is still no polarity on the input and the output polarity will always be as shown.



DESCRIPTION

Rectifier Sounder Module for AC operation

CODE

IEC-RM1